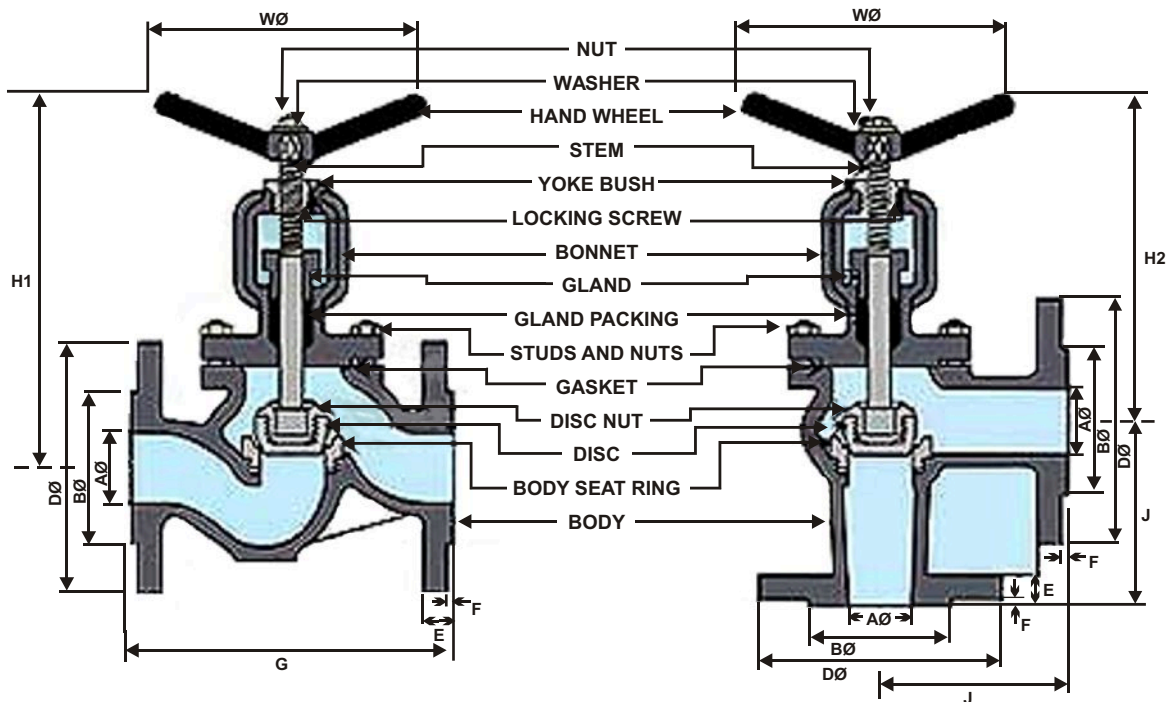
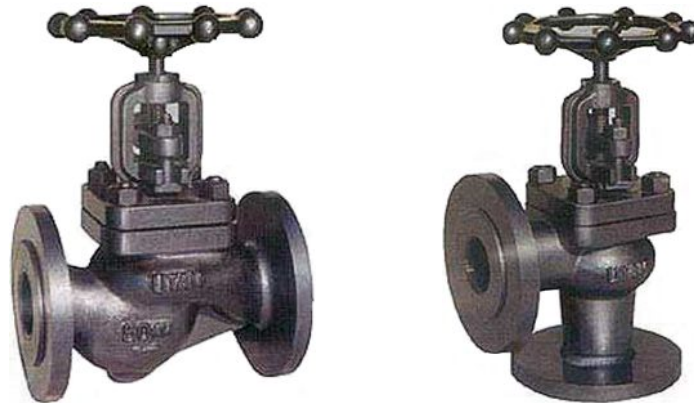


CAST IRON

GLOBE STEAM STOP VALVE : IBR CERTIFIED

Bolted Bonnet outside screw & yoke type Renewable Seat Rising Stem with Back Seat Arrangement, Full Flow Area, Hand Wheel Operated.
 Conforming to BS: 5152 / Din 86251



MATERIALS

| Components | Material | Standard |
|--------------------------------------|--------------------|--------------------|
| Body, Bonnet, Gland, Hand wheel | Cast Iron | IBR 86 to 93 Gr. A |
| Stem, Disc Nut, Disc, Body Seat Ring | Stainless Steel | A ISI-410 |
| Gasket | CAF | IS: 2712 |
| Gland Packing | Graphited Asbestos | - |
| Bolts, Nuts, Studs, Washers | Carbon Steel | - |
| Yoke Bush | Aluminium Bronze | - |



| END FLANGES & PRESSURE TEMPERATURE RATINGS | | | | | | | | | | |
|---|---------------------------|---------------------------|------|--|------|------|-----|-----|-----------------------------|------|
| Nominal Size mm | Nominal Pressure Bar (PN) | Flanged Ends | | Maximum Permissible Guage Working Pressure In Bar At Temperature (°C) Of | | | | | Hydraulic Test Pressure Bar | |
| | | BS: 4504 Part 1 Table No. | Din | -10 To 120 | 150 | 180 | 200 | 220 | Body | Seat |
| 15 to 150 | 16 | 16/11 | 2533 | 16 | 14.8 | 13.9 | 13 | 13 | 26 | 16 |
| 15 to 150 | 16 | 16/11 | 2532 | 16 | 14.8 | 13.9 | 13 | 13 | 26 | 16 |

1 Bar = 1.02Kg/cm²

| DIMENSIONS | | | | | | | | | | | | | | |
|-------------------|--------|-----|-----|-----|----|---|-----|-----|-----|-----|-----|-----|--------------|--------------|
| Nominal Size | | AØ | BØ | DØ | E | F | G | H1 | H2 | J | W Ø | PCD | No. Of Holes | Dia Of Holes |
| MM | Inch | | | | | | | | | | | | | |
| 15 | ½" | 15 | 45 | 95 | 14 | 2 | 130 | 162 | 150 | 90 | 100 | 65 | 4 | 14 |
| 20 | ¾" | 20 | 58 | 105 | 16 | 2 | 150 | 165 | 150 | 95 | 100 | 75 | 4 | 14 |
| 25 | 1" | 25 | 68 | 115 | 16 | 2 | 160 | 175 | 155 | 100 | 125 | 85 | 4 | 14 |
| 32 | 1-1/4" | 32 | 78 | 140 | 18 | 2 | 180 | 205 | 185 | 105 | 125 | 100 | 4 | 18 |
| 40 | 1-1/2" | 40 | 88 | 150 | 18 | 3 | 200 | 222 | 190 | 115 | 160 | 110 | 4 | 18 |
| 50 | 2" | 50 | 102 | 165 | 20 | 3 | 230 | 225 | 195 | 125 | 160 | 125 | 4 | 18 |
| 65 | 2-1/2" | 65 | 122 | 185 | 20 | 3 | 290 | 275 | 240 | 145 | 200 | 145 | 4 | 18 |
| 80 | 3" | 80 | 138 | 200 | 22 | 3 | 310 | 305 | 265 | 155 | 200 | 160 | 8 | 18 |
| 100 | 4" | 100 | 158 | 220 | 24 | 3 | 350 | 350 | 305 | 175 | 250 | 180 | 8 | 18 |
| 125 | 5" | 125 | 188 | 250 | 26 | 3 | 400 | 425 | 370 | 200 | 250 | 210 | 8 | 18 |
| 150 | 6" | 150 | 212 | 285 | 26 | 3 | 480 | 485 | 430 | 225 | 315 | 240 | 8 | 23 |
| 200 | 8" | 200 | 268 | 340 | 26 | 3 | 600 | 595 | 480 | 275 | 400 | 295 | 8 | 23 |