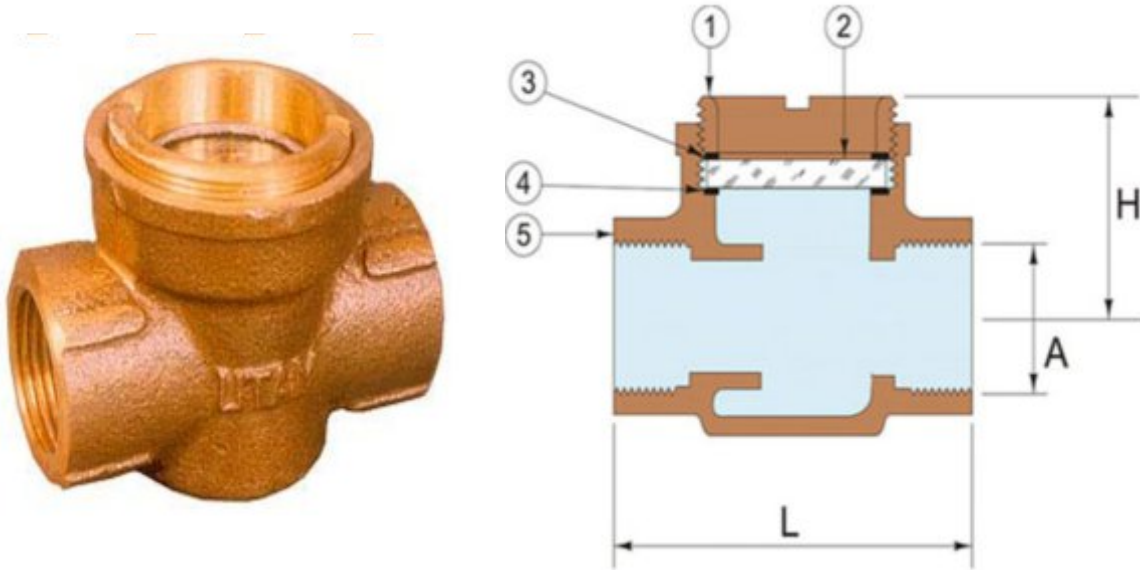


Indicator with single window, Toughened glass, Screwed Female BSP ends.

- Max. Steam Working Pressure: 15.30 Kg/Cm² (218 Psig)
- Maximum Permissible Temp: 225°C (437° F)
- Hydraulic Test Pressure: 30.58 Kg/Cm² (435 Psig).



MATERIALS

Part No.	Qty.	Description	Material	Standard
1	1	Cover	Bronze	BS-1400 LG2
2	1	Glass	Toughened Glass	BS-3463
3	1	Gasket	CAF	-
4	1	Gasket	CAF	-
5	1	Body	Bronze	BS-1400 LG2

DIMENSIONS

Nominal Size		A	L	H
Inch	MM			
1/2"	15	1/2" BSP	83	40
3/4"	20	3/4" BSP	44	60
1"	25	1" BSP	54	70
1-1/2"	40	1-1/2" BSP	112	62
2"	50	2" BSP	123	62