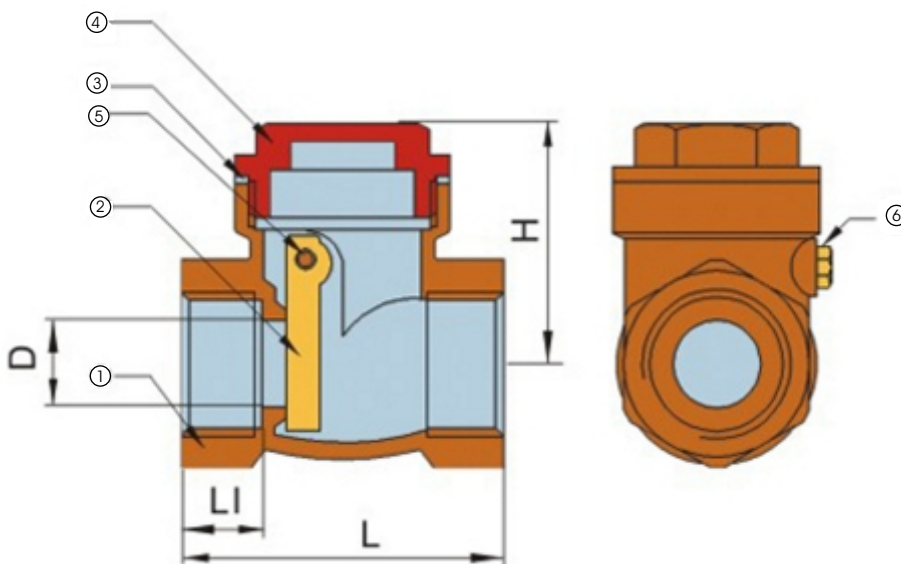


BRASS SWING CHECK VALVE

Body: Hot Forged Brass

Surface Finish: Shotting

- Working Pressure: 16BAR (1 BAR = 14.5 PSI)
- Working Temperature: 0°C to +80°C
- °C= 5/9 (°F-32)
- °F= 32+9/5°C
- Thread: ISO228(BSP)



MATERIALS		
Part No.	Component	Material
1	Body	Brass
2	Swinger	Brass
3	Seal	PTFE
4	Bonnet	Brass
5	Pin	Brass
6	Screw	Brass

DIMENSIONS					
Nominal Size		ØD	L	L1	H
Inch	MM				
1/2"	15	12.5	47	12	33
3/4"	20	16	56	14	38
1"	25	23	64	15	43
1-1/4"	32	30	74	16	50
1-1/2"	40	32.5	81	16	55
2"	50	43	95	20	63
2-1/2"	65	52	106	21	74
3"	80	63.5	126	21	85
4"	100	87	160	22	105